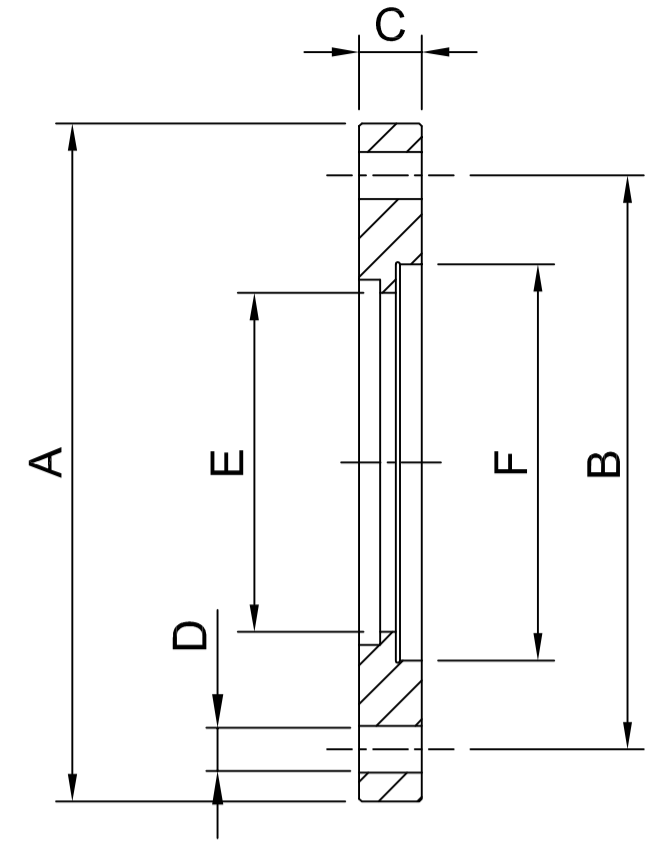


ISO FIXED BOLTED BORED FLANGES

- * MATERIAL: 304L STAINLESS STEEL
- * BAKEABLE TO 200°C (150°C CONTINUOUS)
- * VACUUM RATING 1×10^{-8} mbar
- * WIDE RANGE OF ELBOWS, CROSSES & TEES ARE AVAILABLE
- * TUBULATED FLANGES ARE AVAILABLE FOR WELDING TO STAINLESS STEEL TUBE

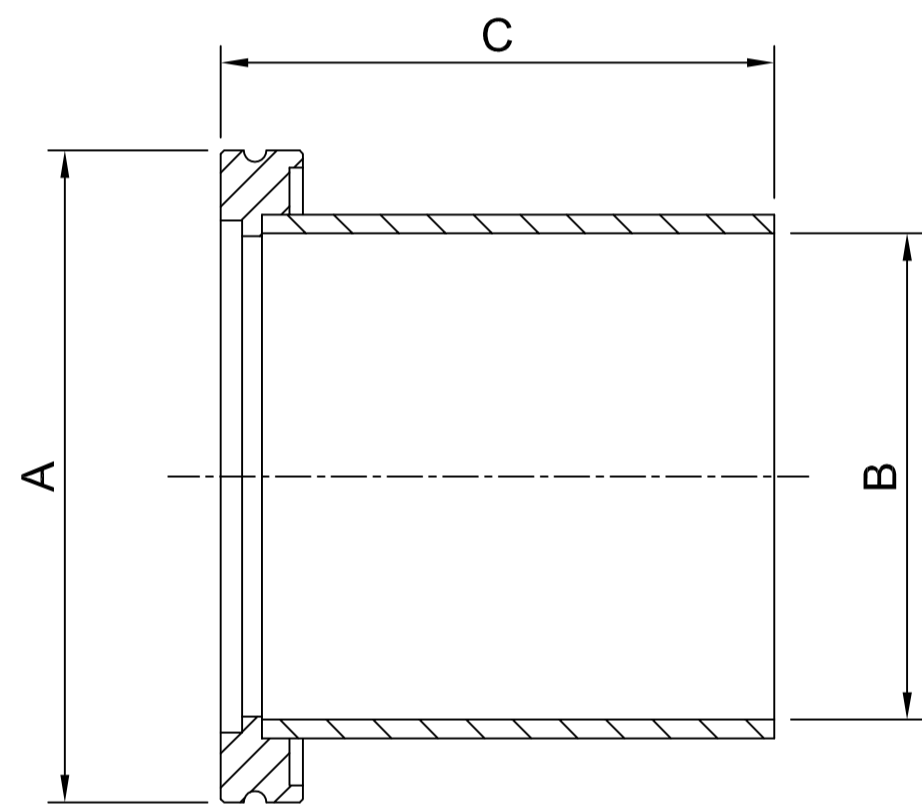
ORDER CODE	NW	A	B	C	D	E	F
ISO63F76	63	130	110	12	9(x4)	70	76
ISO80F89	80	145	125	12	9(x8)	83	89
ISO100F102	100	165	145	12	9(x8)	96	102
ISO100F108	100	165	145	12	9(x8)	102	108
ISO160F159	160	225	200	16	11(x8)	153	159
ISO200F219	200	285	260	16	11(x12)	213	219
ISO250F267	250	335	310	16	11(x12)	261	267
ISO320F324	320	425	395	20	14(x12)	318	324
ISO400F406	400	510	480	20	14(x16)	400	406
ISO500F508	500	610	580	20	14(x16)	502	508
ISO600F660	600	750	720	20	14(x20)	654	660



ISO CLAW CLAMP TUBULATIONS

- * MATERIAL: 304L STAINLESS STEEL
- * BAKEABLE TO 200°C (150°C CONTINUOUS)
- * VACUUM RATING 1×10^{-8} mbar
- * WIDE RANGE OF ELBOWS, CROSSES & TEES ARE AVAILABLE

ORDER CODE	NW	A	B	C
ISO63TU	63	95	70	100
ISO80TU	80	110	83	100
ISO100TU	100	130	102	100
ISO160TU	160	180	153	100
ISO250TU	250	290	261	100
ISO320TU	320	370	318	100
ISO200TU	200	240	213	100
ISO400TU	400	450	400	100
ISO500TU	500	550	501	100



ISO STRAIGHT CONNECTORS

- * MATERIAL: 304L STAINLESS STEEL
- * BAKEABLE TO 200°C (150°C CONTINUOUS)
- * VACUUM RATING 1×10^{-8} mbar
- * WIDE RANGE OF ELBOWS, CROSSES & TEES ARE AVAILABLE

ORDER CODE	NW	A	B	C
ISO63SC	63	95	70	100
ISO80SC	80	110	83	100
ISO100SC	100	130	102	100
ISO160SC	160	180	153	100
ISO200SC	200	240	213	100
ISO250SC	250	290	261	100
ISO320SC	320	370	318	200
ISO400SC	400	450	400	200
ISO500SC	500	550	501	200

