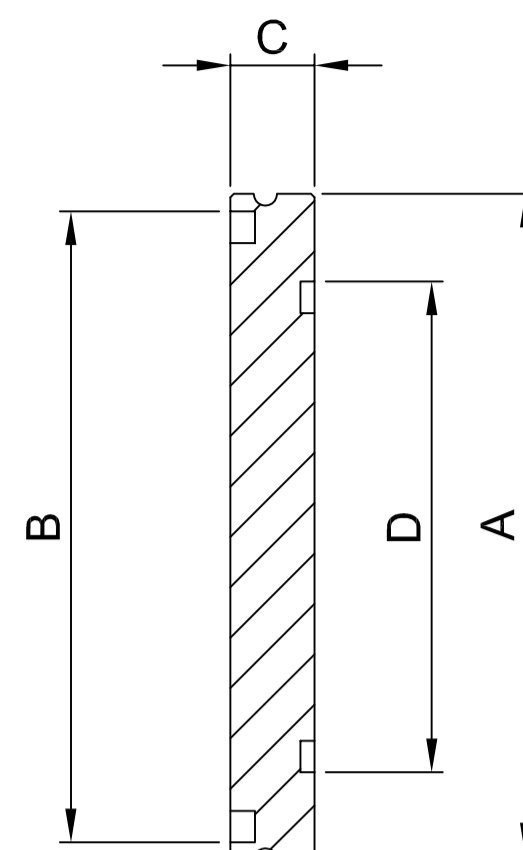


### ISO CLAW CLAMP BLANK FLANGES

- \* MATERIAL: 304L STAINLESS STEEL
- \* BAKEABLE TO 200°C (150°C CONTINUOUS)
- \* VACUUM RATING 1x10<sup>-8</sup> mbar
- \* WIDE RANGE OF ELBOWS, CROSSES & TEES ARE AVAILABLE
- \* TUBULATED FLANGES ARE AVAILABLE FOR WELDING TO STAINLESS STEEL TUBE

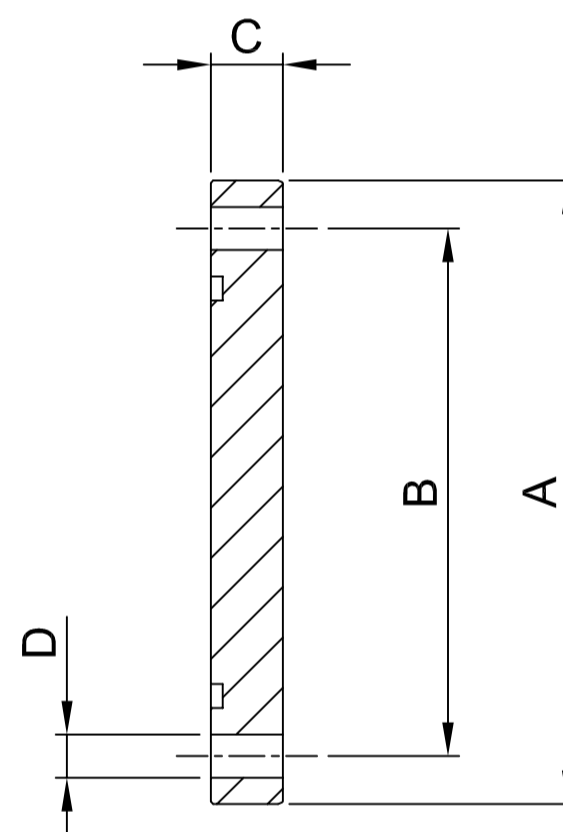
ORDER CODE	NW	A	B	C	D
ISO63BK	63	95	90	12	70
ISO80BK	80	110	105	12	83
ISO100BK	100	130	125	12	102
ISO160BK	160	180	175	12	153
ISO200BK	200	240	235	12	213
ISO250BK	250	290	285	12	261
ISO320BK	320	370	365	17	318
ISO400BK	400	450	445	17	400
ISO500BK	500	550	545	17	501
ISO630BK	600	690	685	17	651



### ISO FIXED BOLTED BLANK FLANGES

- \* MATERIAL: 304L STAINLESS STEEL
- \* BAKEABLE TO 200°C (150°C CONTINUOUS)
- \* VACUUM RATING 1x10<sup>-8</sup> mbar
- \* WIDE RANGE OF ELBOWS, CROSSES & TEES ARE AVAILABLE
- \* TUBULATED FLANGES ARE AVAILABLE FOR WELDING TO STAINLESS STEEL TUBE

ORDER CODE	NW	A	B	C	D
ISO63FBK	63	130	110	12	9(x4)
ISO80FBK	80	145	125	12	9(x8)
ISO100FBK	100	165	145	12	9(x8)
ISO160FBK	160	225	200	16	11(x8)
ISO200FBK	200	285	260	16	11(x12)
ISO250FBK	250	335	310	16	11(x12)
ISO320FBK	320	425	395	20	14(x12)
ISO400FBK	400	510	480	20	14(x16)
ISO500FBK	500	610	580	20	14(x16)
ISO630FBK	600	750	720	20	14(x20)



### ISO CLAW CLAMP BORED FLANGES

- \* MATERIAL: 304L STAINLESS STEEL
- \* BAKEABLE TO 200°C (150°C CONTINUOUS)
- \* VACUUM RATING 1x10<sup>-8</sup> mbar
- \* WIDE RANGE OF ELBOWS, CROSSES & TEES ARE AVAILABLE
- \* TUBULATED FLANGES ARE AVAILABLE FOR WELDING TO STAINLESS STEEL TUBE

ORDER CODE	NW	A	B	C	D	E
ISO63B76	63	95	90	12	70	76
ISO80B89	80	110	105	12	83	89
ISO100B108	100	130	125	12	102	108
ISO160B159	160	180	175	12	153	159
ISO200B219	200	240	235	12	213	219
ISO250B267	250	290	285	12	261	267
ISO320B324	320	370	365	17	318	324
ISO400B406	400	450	445	17	400	406
ISO500B508	500	550	542	17	501	508

