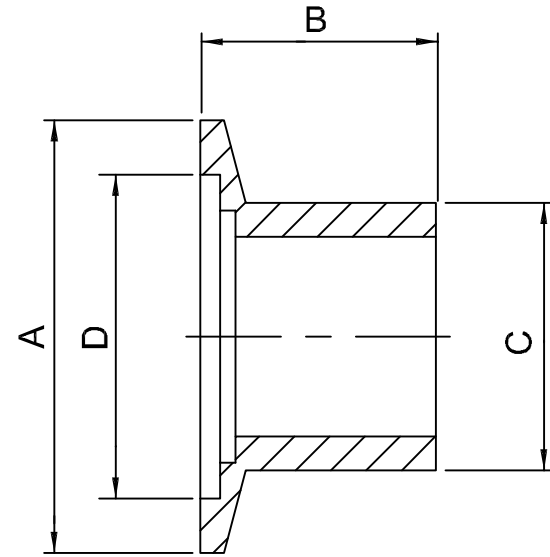


**KF TUBULATIONS (HALF NIPPLES)**

- \* MATERIAL: 304L STAINLESS STEEL
- \* BAKEABLE TO 150° C
- \* VACUUM RATING 1x10<sup>-8</sup> mbar
- \* WIDE RANGE OF ELBOWS, CROSSES & TEES ARE AVAILABLE
- \* TUBULATED FLANGES ARE AVAILABLE FOR WELDING TO STAINLESS STEEL TUBE

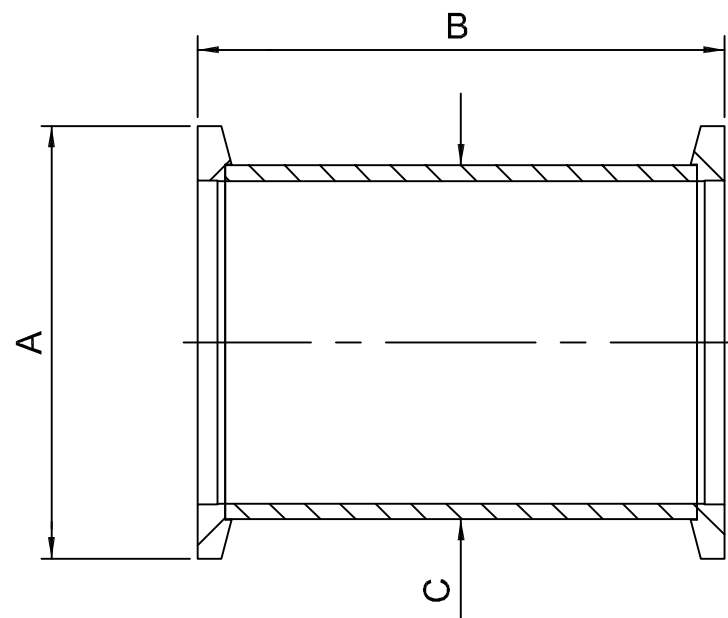
ORDER CODE	NW	A	B	C	D
TU10K30	10	30	30	20	12.2
TU16K30	16	30	30	20	17.2
TU16K40	16	30	40	20	17.2
TU16K70	16	30	70	20	17.2
TU25K20	25	40	20	28	26.2
TU25K30	25	40	30	28	26.2
TU25K40	25	40	40	28	26.2
TU25K70	25	40	70	28	26.2
TU40K20	40	55	20	44.5	41.2
TU40K30	40	55	30	44.5	41.2
TU40K40	40	55	40	44.5	41.2
TU40K70	40	55	70	44.5	41.2
TU50K20	50	75	20	57	52.2
TU50K30	50	75	30	57	52.2
TU50K40	50	75	40	57	52.2
TU50K70	50	75	70	57	52.2



**KF STRAIGHT CONNECTORS (FULL NIPPLES)**

- \* MATERIAL: 304L STAINLESS STEEL
- \* BAKEABLE TO 150° C
- \* VACUUM RATING 1x10<sup>-8</sup> mbar
- \* WIDE RANGE OF ELBOWS, CROSSES & TEES ARE AVAILABLE
- \* TUBULATED FLANGES ARE AVAILABLE FOR WELDING TO STAINLESS STEEL TUBE

ORDER CODE	NW	A	B	C
SC25K	25	40	100	28
SC16K	16	30	80	20
SC10K60	10	30	60	14
SC40K	40	55	130	45
SC50K	50	75	140	57



**KF TUBULATED REDUCING ADAPTORS**

- \* MATERIAL: 304L STAINLESS STEEL
- \* BAKEABLE TO 150° C
- \* VACUUM RATING 1x10<sup>-8</sup> mbar
- \* WIDE RANGE OF ELBOWS, CROSSES & TEES ARE AVAILABLE
- \* TUBULATED FLANGES ARE AVAILABLE FOR WELDING TO STAINLESS STEEL TUBE

ORDER CODE	NW	A	B	C
KF16R10	16/10	30	30	14
KF25R10	25/10	40	30	14
KF40R10	40/10	55	30	14
KF25R16	25/16	40	30	20
KF40R16	40/16	55	30	20
KF50R16	50/16	75	30	20
KF40R25	40/25	55	40	28
KF50R25	50/25	75	40	28
KF50R40	50/40	75	55	44

