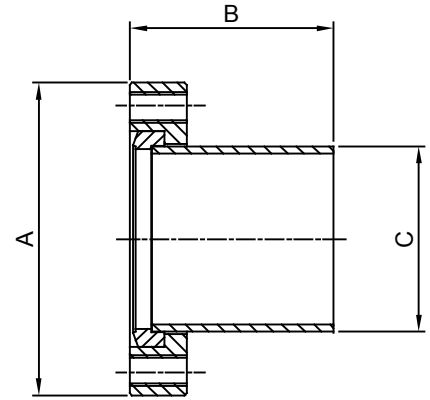


CF TUBULATIONS (HALF NIPPLES), WITH TAPPED FLANGES, ROTATABLE

- * MATERIAL: STAINLESS STEEL
- * BAKEABLE UP TO 450°C
- * VACUUM RATING 1×10^{-11} mbar
- * WIDE RANGE OF ELBOWS, CROSSES & TEES ARE AVAILABLE

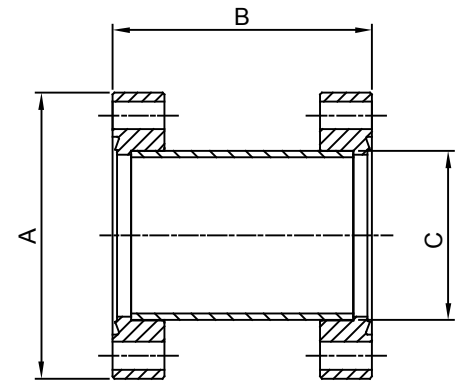
ORDER CODE	MAT'L	NW	A	B	C	THREAD
TU16RT	304L	16	34	38	19	M4
TU35RT	304L	35	70	63	38	M6
TU38RT	304L	35	70	63	41.3	M6
TU63RT	304L	63	114	105	64	M8
TU100RT	304L	100	152	135	102	M8
TU150RT	304L	150	203	167	152	M8
TU200RT	304L	200	254	167	203	M8



CF STRAIGHT CONNECTORS (FULL NIPPLES), FIXED

- * MATERIAL: STAINLESS STEEL
- * BAKEABLE UP TO 450°C
- * VACUUM RATING 1×10^{-11} mbar
- * WIDE RANGE OF ELBOWS, CROSSES & TEES ARE AVAILABLE

ORDER CODE	MAT'L	NW	A	B	C	BOLT HOLES
SC16	304L	16	34	76	19	IN LINE
SC35	304L	35	70	126	38	IN LINE
SC38	304L	35	70	126	41.3	IN LINE
SC63	304L	63	114	210	64	IN LINE
SC100	304L	100	152	270	102	IN LINE
SC150	304L	150	203	334	152	IN LINE
SC200	304L	200	254	334	203	IN LINE
SC16S	304L	16	34	76	19	STRADDLED
SC35S	304L	35	70	126	38	STRADDLED
SC38S	304L	35	70	126	41.3	STRADDLED
SC63S	304L	63	114	210	64	STRADDLED
SC100S	304L	100	152	270	102	STRADDLED
SC150S	304L	150	203	334	152	STRADDLED
SC200S	304L	200	254	334	203	STRADDLED



CF STRAIGHT CONNECTORS (FULL NIPPLES), ROTATABLE

- * MATERIAL: STAINLESS STEEL
- * BAKEABLE UP TO 450°C
- * VACUUM RATING 1×10^{-11} mbar
- * WIDE RANGE OF ELBOWS, CROSSES & TEES ARE AVAILABLE

ORDER CODE	MAT'L	NW	A	B	C
SC16R	304L	16	34	76	19
SC35R	304L	35	70	126	38
SC38R	304L	35	70	126	41.3
SC63R	304L	63	114	210	64
SC100R	304L	100	152	270	102
SC150R	304L	150	203	334	152
SC200R	304L	200	254	334	203

