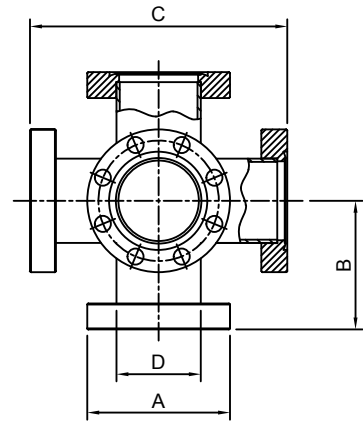


CF 6-WAY CROSSES, FIXED

- * MATERIAL: STAINLESS STEEL
- * BAKEABLE UP TO 450°C
- * VACUUM RATING 1×10^{-11} mbar
- * WIDE RANGE OF ELBOWS & TEES ARE AVAILABLE

ORDER CODE	MAT'L	NW	A	B	C	D	BOLT HOLES
XX16	304L	16	34	38	76	19	IN LINE
XX35	304L	35	70	63	126	38	IN LINE
XX38	304L	38	70	63	126	41.3	IN LINE
XX63	304L	63	114	105	210	64	IN LINE
XX100	304L	100	152	135	270	102	IN LINE
XX150	304L	150	203	167	334	152	IN LINE
XX200	304L	200	254	203	406	203	IN LINE
XX16S	304L	16	34	38	76	19	STRADDLED
XX35S	304L	35	70	63	126	38	STRADDLED
XX38S	304L	38	70	63	126	41.3	STRADDLED
XX63S	304L	63	114	105	210	64	STRADDLED
XX100S	304L	100	152	135	270	102	STRADDLED
XX150S	304L	150	203	167	334	152	STRADDLED
XX200S	304L	200	254	203	406	203	STRADDLED



CF 6-WAY CROSSES, 2 FLANGES ROTATABLE

- * MATERIAL: STAINLESS STEEL
- * BAKEABLE UP TO 450°C
- * VACUUM RATING 1×10^{-11} mbar
- * WIDE RANGE OF ELBOWS & TEES ARE AVAILABLE

ORDER CODE	MAT'L	NW	A	B	C	D
XX16R	304L	16	34	38	76	19
XX35R	304L	35	70	63	126	38
XX38R	304L	38	70	63	126	41.3
XX63R	304L	63	114	105	210	64
XX100R	304L	100	152	135	270	102
XX150R	304L	150	203	167	334	152
XX200R	304L	200	254	203	406	203

