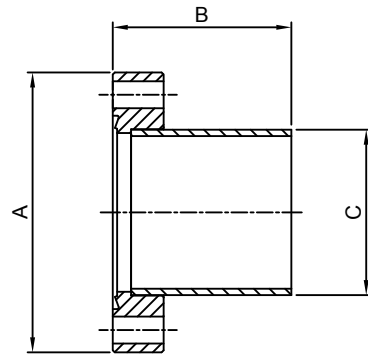


CF TUBULATIONS (HALF NIPPLES), FIXED

- * MATERIAL: STAINLESS STEEL
- * BAKEABLE UP TO 450°C
- * VACUUM RATING 1x10⁻¹¹mbar
- * WIDE RANGE OF ELBOWS, CROSSES & TEES ARE AVAILABLE

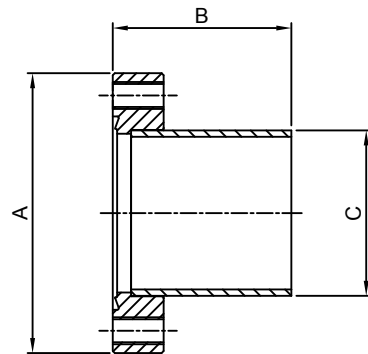
ORDER CODE	MAT'L	NW	A	B	C
TU16	304L	16	34	38	19
TU35	304L	35	70	63	38
TU38	304L	35	70	63	41.5
TU63	304L	63	114	105	64
TU100	304L	100	152	135	102
TU150	304L	150	203	167	152
TU200	304L	200	254	167	203



CF TUBULATIONS (HALF NIPPLES), WITH TAPPED FLANGES, FIXED

- * MATERIAL: STAINLESS STEEL
- * BAKEABLE UP TO 450°C
- * VACUUM RATING 1x10⁻¹¹mbar
- * WIDE RANGE OF ELBOWS, CROSSES & TEES ARE AVAILABLE

ORDER CODE	MAT'L	NW	A	B	C	THREAD
TU16T	304L	16	34	38	19	M4
TU35T	304L	35	70	63	38	M6
TU38T	304L	35	70	63	41.3	M6
TU63T	304L	63	114	105	64	M8
TU100T	304L	100	152	135	102	M8
TU150T	304L	150	203	167	152	M8
TU200T	304L	200	254	167	203	M8



CF TUBULATIONS (HALF NIPPLES), ROTATABLE

- * MATERIAL: STAINLESS STEEL
- * BAKEABLE UP TO 450°C
- * VACUUM RATING 1x10⁻¹¹mbar
- * WIDE RANGE OF ELBOWS, CROSSES & TEES ARE AVAILABLE

ORDER CODE	MAT'L	NW	A	B	C
TU16R	304L	16	34	38	19
TU35R	304L	35	70	63	38
TU38R	304L	35	70	63	41.5
TU63R	304L	63	114	105	64
TU100R	304L	100	152	135	102
TU150R	304L	150	203	167	152
TU200R	304L	200	254	167	203

