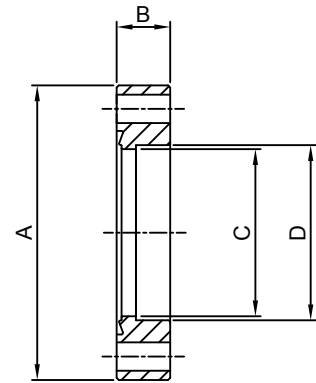


### CF BORED FLANGES - FIXED

- \* MATERIAL: STAINLESS STEEL
- \* BAKEABLE UP TO 450°C
- \* VACUUM RATING  $1 \times 10^{-11}$  mbar
- \* WIDE RANGE OF ELBOWS, CROSSES & TEES ARE AVAILABLE
- \* TUBULATED FLANGES ARE AVAILABLE FOR WELDING TO STAINLESS STEEL TUBE

ORDER CODE	MAT'L	NW	A	B	C	D
F16B7	304L	16	34	7.6	6.4	6.4
F16B12	304L	16	34	7.6	12.7	12.7
F16B14	304L	16	34	7.6	13.2	14.3
F16B19	304L	16	34	7.6	16.6	19.1
F35B14	304L	35	70	12.7	13.2	14.4
F35B25	304L	35	70	12.7	24.2	25.5
F35B38	304L	35	70	12.7	36.9	38.2
F35B41	304L	35	70	12.7	40.1	41.3
F63B51	304L	63	114	17.4	49.6	51.1
F63B63	304L	63	114	17.4	61.2	63.6
F100B	304L	100	152	19.9	99.4	101.9
F150B	304L	150	203	22.3	149.7	152.6
F200B	304L	200	254	24.6	200.4	203.5
F250B	304L	250	304	27.3	250.7	254.4
F250B-SPE*	304L	250	304	27.3	250.7	254.4

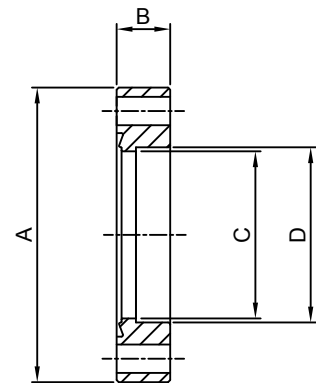


For flanges with tapped bolt holes please add suffix T to order codes (eg F16B7T)  
 \* European standard, to be used with copper gaskets OD 272.7 mm

### CF BORED FLANGES - FIXED (316LN)

- \* MATERIAL: STAINLESS STEEL, Grade 316LN
- \* BAKEABLE UP TO 450°C
- \* VACUUM RATING  $1 \times 10^{-11}$  mbar
- \* WIDE RANGE OF ELBOWS, CROSSES & TEES ARE AVAILABLE
- \* TUBULATED FLANGES ARE AVAILABLE FOR WELDING TO STAINLESS STEEL TUBE

ORDER CODE	MAT'L	NW	A	B	C	D
F16B18LNS	316LN	16	34	7.3	15.6	18.2
F35B38LNS	316LN	35	70	13.0	36.9	38.2
F38B42LNS	316LN	35	70	13.0	39.7	42.2
F63B70LNS	316LN	63	113.5	17.5	67.9	70.3
F100B104LNS	316LN	100	151.6	19.8	101.8	104.3
F150B154LNS	316LN	150	202.4	22.2	152.0	154.5
F200B205LNS	316LN	200	253.2	24.6	203.0	205.5
F250BLNS256	316LN	250	306.0	24.6	253.5	256.0



For flanges with tapped bolt holes please add suffix T to order codes (eg F16B18LNTS)  
 \* European standard, to be used with copper gasket OD 272.7 mm