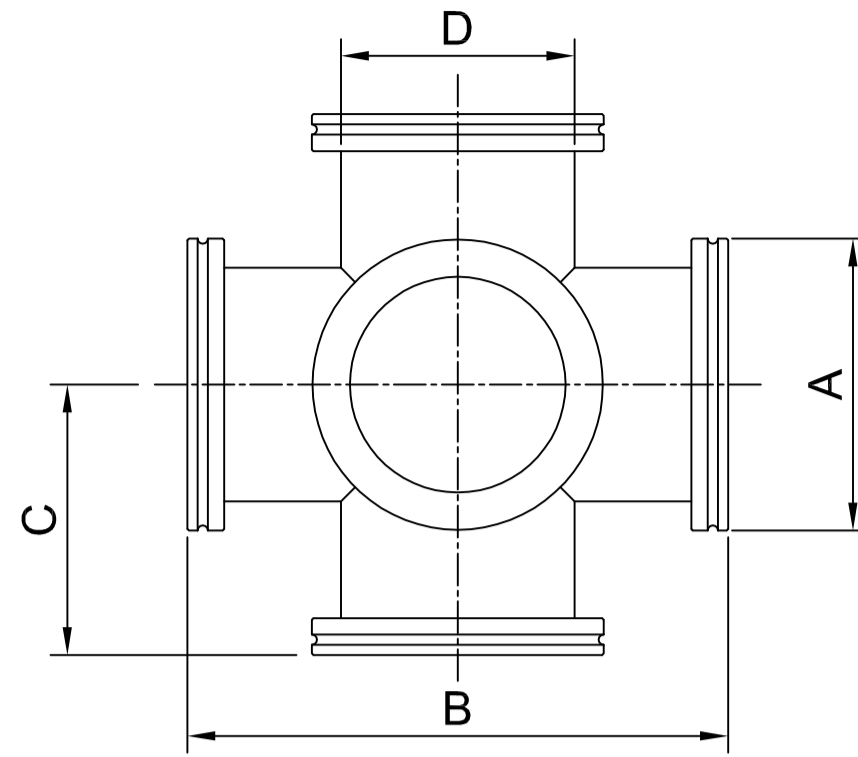


ISO 6-WAY CROSSES

- * MATERIAL: 304L STAINLESS STEEL
- * BAKEABLE TO 150° C
- * VACUUM RATING 1×10^{-8} mbar
- * WIDE RANGE OF ELBOWS, TEES & FLEXIBLE HOSES ARE AVAILABLE

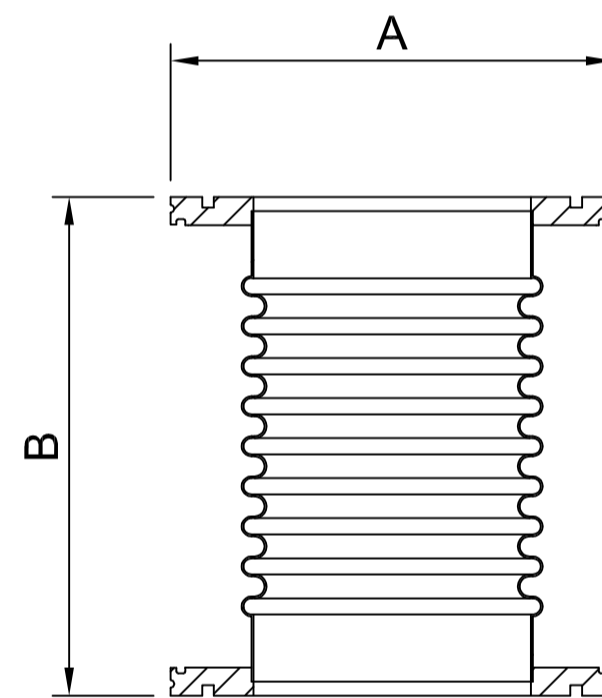
ORDER CODE	NW	A	B	C	D
ISO63XX	63	95	176	88	76
ISO80XX	80	110	196	98	89
ISO100XX	100	130	216	108	108
ISO160XX	160	180	276	138	159
ISO200XX	200	240	356	178	219
ISO250XX	250	290	416	208	267



ISO FLEXIBLE HOSES, STAINLESS STEEL

- * MATERIAL: 304L STAINLESS STEEL
- * BAKEABLE TO 150° C
- * VACUUM RATING 1×10^{-8} mbar
- * WIDE RANGE OF ELBOWS, CROSSES & TEES ARE AVAILABLE
- * TUBULATED FLANGES ARE AVAILABLE FOR WELDING TO STAINLESS STEEL TUBE

ORDER CODE	NW	A	B
ISO63FX250	63	95	250
ISO63FX500	63	95	500
ISO63FX750	63	95	750
ISO63FX1000	63	95	1000
ISO80FX250	80	110	250
ISO80FX500	80	110	500
ISO80FX750	80	110	750
ISO80FX1000	80	110	1000
ISO100FX250	100	130	250
ISO100FX500	100	130	500
ISO100FX750	100	130	750
ISO100FX1000	100	130	1000
ISO160FX250	160	180	250
ISO160FX500	160	180	500
ISO160FX750	160	180	750
ISO160FX1000	160	180	1000



ISO HYDROFORMED FLEXIBLE BELLOWS, STAINLESS STEEL

- * MATERIAL: 304L STAINLESS STEEL
- * BAKEABLE TO 150° C
- * VACUUM RATING 1×10^{-8} mbar
- * WIDE RANGE OF ELBOWS, CROSSES & TEES ARE AVAILABLE
- * TUBULATED FLANGES ARE AVAILABLE FOR WELDING TO STAINLESS STEEL TUBE

ORDER CODE	NW	A	B
ISO63FXB	63	95	127
ISO80FXB	80	110	127
ISO100FXB	100	130	127
ISO160FXB	160	180	220
ISO200FXB	200	240	220
ISO250FXB	250	290	220

