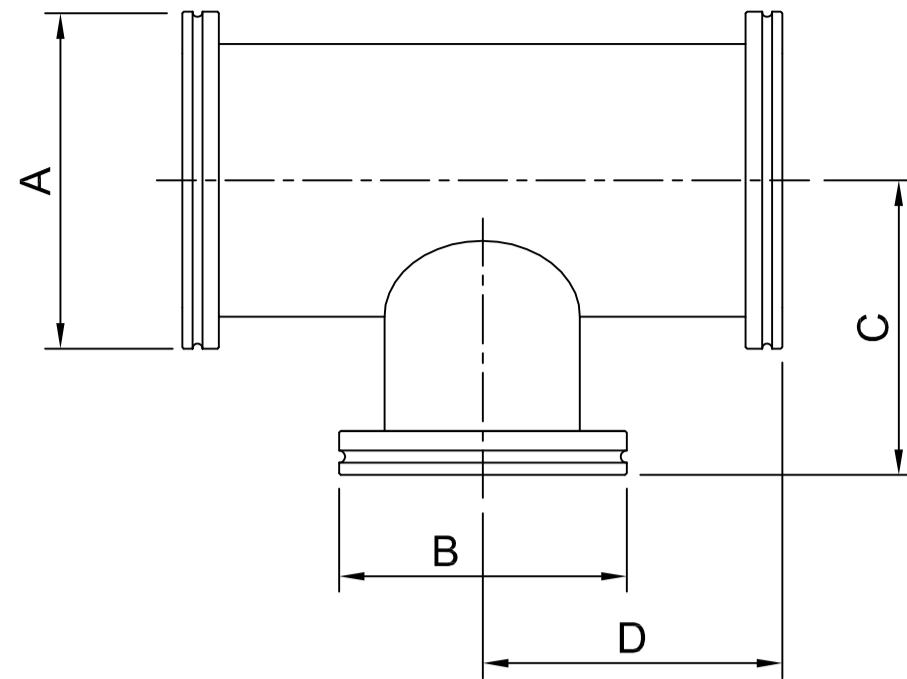


ISO UNEQUAL TEES, STAINLESS STEEL

- * MATERIAL: 304L STAINLESS STEEL
- * BAKEABLE TO 150° C
- * VACUUM RATING 1x10⁻⁸mbar
- * WIDE RANGE OF ELBOWS, CROSSES, ADAPTORS & FLEXIBLE HOSES ARE AVAILABLE

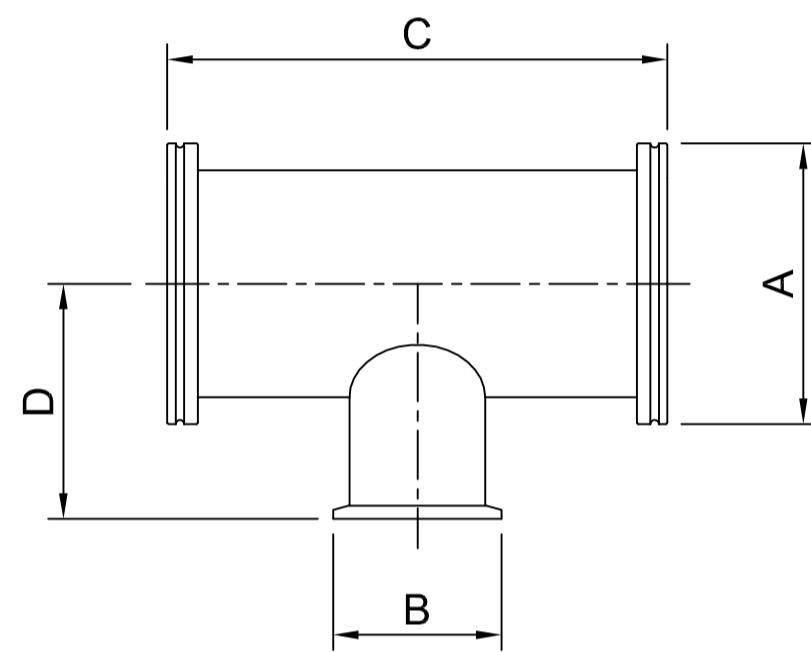
ORDER CODE	NW	A	B	C	D
ISO80TE63	80/63	110	95	95	98
ISO100TE63	100/63	130	95	107	108
ISO100TE80	100/80	130	110	111	108
ISO160TE63	160/63	180	95	130	138
ISO160TE80	160/80	180	110	134	138
ISO200TE63	200/63	240	95	160	178
ISO200TE80	200/80	240	110	163	178
ISO200TE100	200/100	240	130	161	178
ISO200TE160	200/160	240	180	168	178



ISO TO KF REDUCING TEE

- * MATERIAL: 304L STAINLESS STEEL
- * BAKEABLE TO 150° C
- * VACUUM RATING 1x10⁻⁸mbar
- * WIDE RANGE OF ELBOWS, CROSSES & FLEXIBLE HOSES ARE AVAILABLE

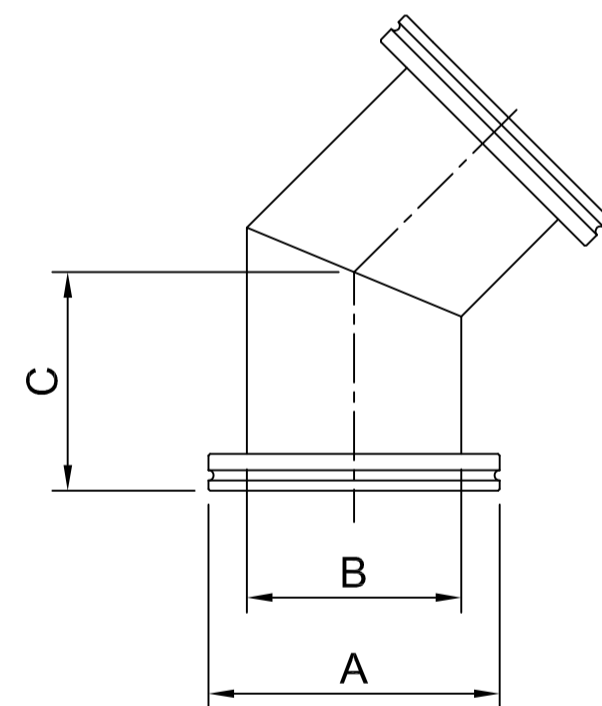
ORDER CODE	NW	A	B	C	D
ISO63TE16	63/16	95	30	204	58
ISO63TE25	63/25	95	40	204	79
ISO63TE40	63/40	95	55	204	76
ISO63TE50	63/50	95	75	204	92
ISO100TE25	100/25	130	40	260	98
ISO100TE40	100/40	130	55	260	95
ISO100TE50	100/50	130	75	260	111
ISO160TE40	160/40	180	55	320	121
ISO160TE50	160/50	180	75	320	136



ISO 45 DEGREE BEND ELBOW

- * MATERIAL: 304L STAINLESS STEEL
- * BAKEABLE TO 150° C
- * VACUUM RATING 1x10⁻⁸mbar
- * WIDE RANGE OF CROSSES, TEES, ADAPTORS & FLEXIBLE HOSES ARE AVAILABLE

ORDER CODE	NW	A	B	C	style
ISO63EL45	63	95	88	70	Mitred
ISO80EL45	80	110	98	89	Mitred
ISO100EL45	100	130	108	104	Mitred
ISO160EL45	160	180	138	159	Mitred
ISO200EL45	200	240	178	219	Mitred
ISO250EL45	250	290	208	267	Mitred



ISO 90 DEGREE ELBOW

- * MATERIAL: 304L STAINLESS STEEL
- * BAKEABLE TO 150° C
- * VACUUM RATING 1x10⁻⁸mbar
- * WIDE RANGE OF CROSSES, TEES, ADAPTORS & FLEXIBLE HOSES ARE AVAILABLE

ORDER CODE	NW	A	B	C	style
ISO63E	63	95	88	70	swept
ISO80E	80	110	98	89	swept
ISO100E	100	130	108	104	swept
ISO160E	160	180	138	159	swept
ISO200E	200	240	178	219	Mitred
ISO250E	250	290	208	267	Mitred

