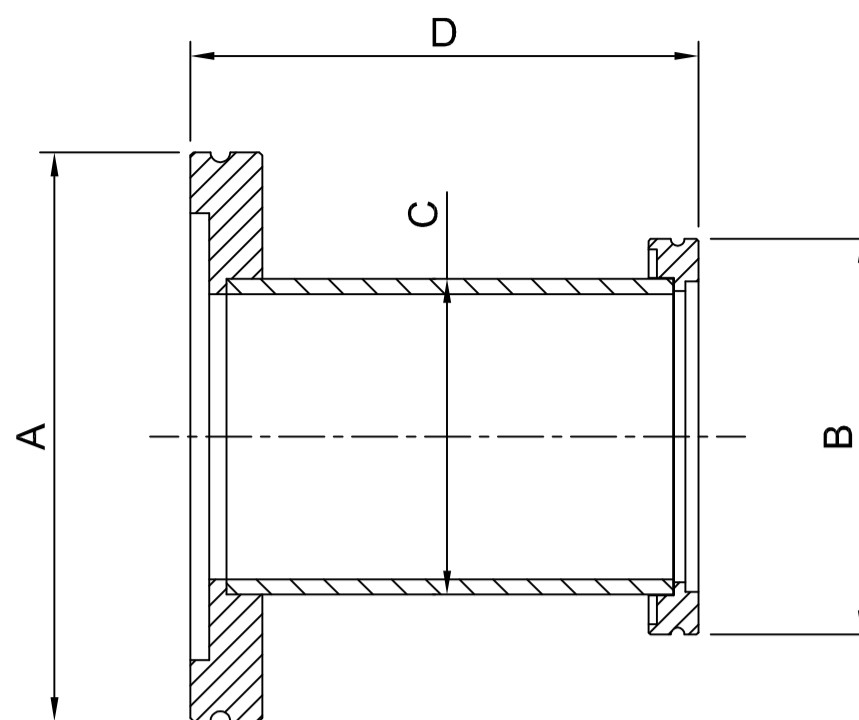


ISO TUBULATED REDUCING CONNECTOR

- * MATERIAL: 304L STAINLESS STEEL
- * BAKEABLE TO 200°C (150°C CONTINUOUS)
- * VACUUM RATING 1×10^{-8} mbar
- * WIDE RANGE OF ELBOWS, CROSSES, TEES, ADAPTORS & FLEXIBLE HOSES ARE AVAILABLE
- * TUBULATED FLANGES ARE AVAILABLE FOR WELDING TO STAINLESS STEEL TUBE

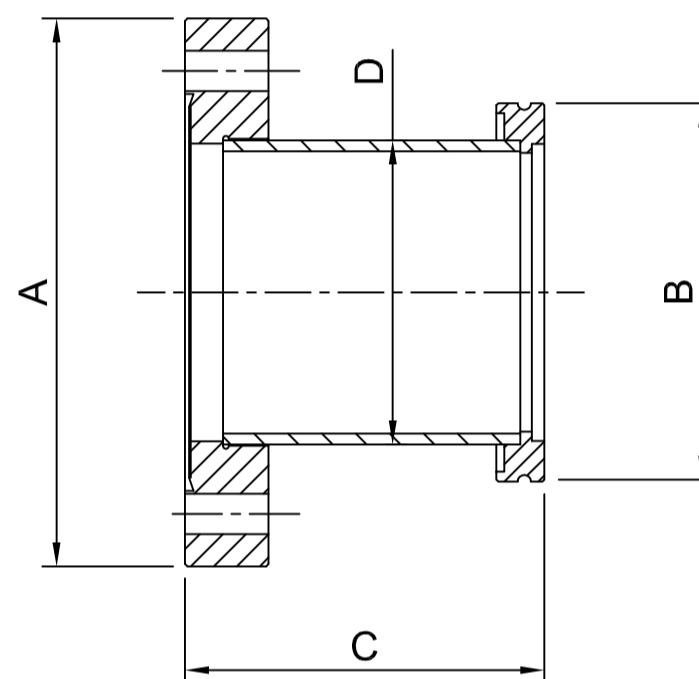
ORDER CODE	NW	A	B	C	D
ISO80R63	80/63	110	95	70	50
ISO100R63	100/63	130	95	70	50
ISO160R63	160/63	180	95	70	50
ISO200R63	200/63	240	95	70	90
ISO250R63	250/63	290	95	70	90
ISO100R80	100/80	130	110	83	50
ISO160R80	160/80	180	110	83	50
ISO200R80	200/80	240	110	83	90
ISO250R80	250/80	290	110	83	90
ISO160R100	160/100	180	130	102	50
ISO200R100	200/100	240	130	102	90
ISO250R100	250/100	290	130	102	90
ISO200R160	200/160	240	180	153	90
ISO250R160	250/160	290	180	153	90
ISO250R200	250/200	290	240	213	90



ISO TO CF TUBULATED ADAPTORS

- * MATERIAL: 304L STAINLESS STEEL
- * BAKEABLE TO 200°C (150°C CONTINUOUS)
- * VACUUM RATING 1×10^{-8} mbar
- * WIDE RANGE OF ELBOWS, CROSSES & TEES ARE AVAILABLE
- * TUBULATED FLANGES ARE AVAILABLE FOR WELDING TO STAINLESS STEEL TUBE

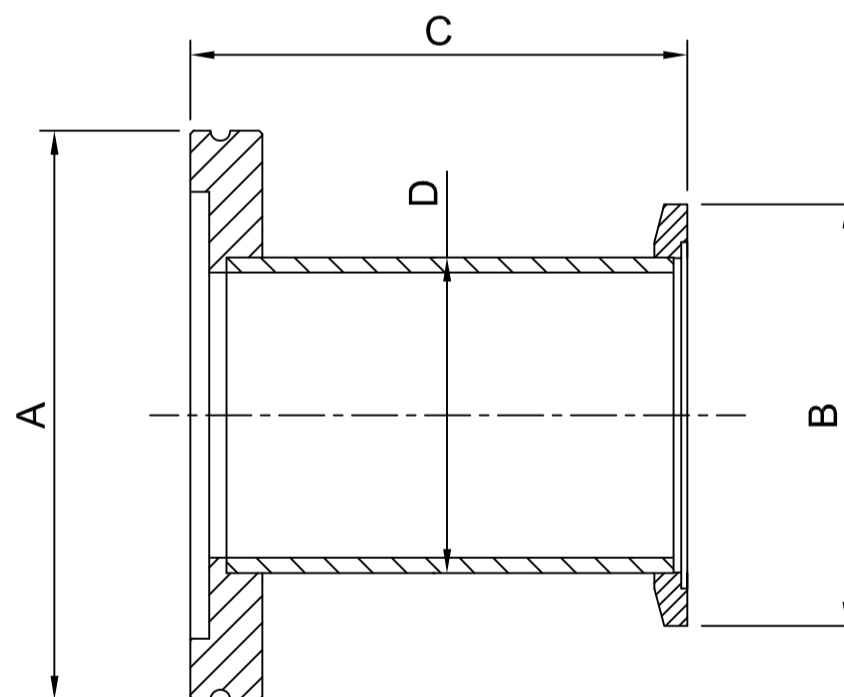
ORDER CODE	NW	A	B	C	D
SA6363	CF63 /ISO63	114	95	90	70
SA1063	CF100 /ISO63	152	95	90	76
SA1010	CF100 /ISO100	152	130	90	102
SA1016	CF100 /ISO160	152	180	90	102
SA1563	CF150 /ISO63	203	95	90	76
SA1510	CF150 /ISO100	203	130	90	108
SA1516	CF150 /ISO63	203	180	90	152



ISO TO KF TUBULATED ADAPTORS

- * MATERIAL: 304L STAINLESS STEEL
- * BAKEABLE TO 150°C
- * VACUUM RATING 1×10^{-8} mbar
- * WIDE RANGE OF ELBOWS, CROSSES, TEES, ADAPTORS & FLEXIBLE HOSES ARE AVAILABLE

ORDER CODE	NW	A	B	C	D
SK6325	ISO63/KF25	95	40	50	28
SK6340	ISO63/KF40	95	55	50	45
SK6350	ISO63/KF50	95	75	50	57
SK1040	ISO100/KF40	130	55	50	45
SK1050	ISO100/KF50	130	75	50	57



ISO TEES

- * MATERIAL: 304L STAINLESS STEEL
- * BAKEABLE TO 200°C (150°C CONTINUOUS)
- * VACUUM RATING 1×10^{-8} mbar
- * WIDE RANGE OF ELBOWS, CROSSES & ADAPTORS ARE AVAILABLE
- * TUBULATED FLANGES ARE AVAILABLE FOR WELDING TO STAINLESS STEEL TUBE

ORDER CODE	NW	A	B	C	D
ISO63TE	63	95	176	88	76
ISO80TE	80	110	196	98	89
ISO100TE	100	130	216	108	108
ISO160TE	160	180	276	138	159
ISO200TE	200	240	356	178	219
ISO250TE	250	290	416	208	267

