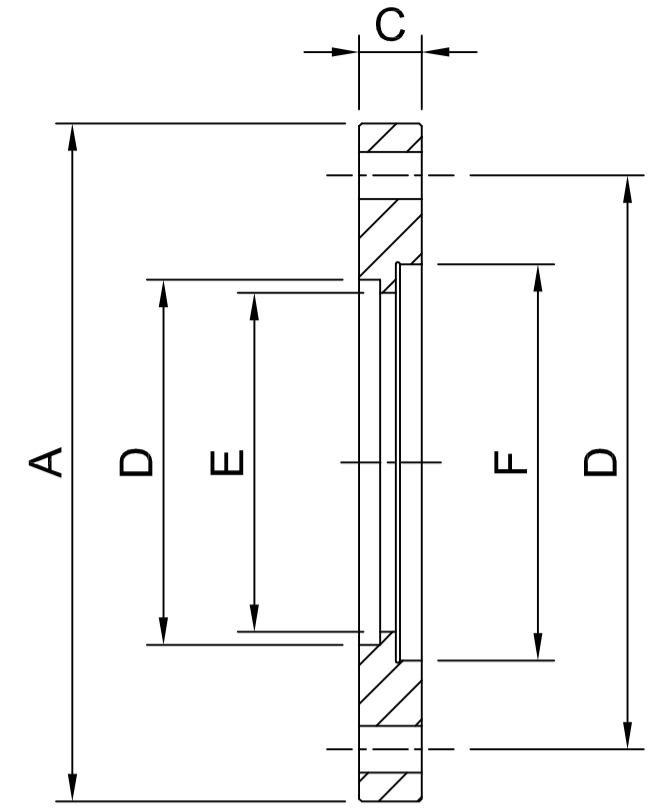


## ISO FIXED BOLTED BORED FLANGES

- \* MATERIAL: 304L STAINLESS STEEL
- \* BAKEABLE TO 200°C (150°C CONTINUOUS)
- \* VACUUM RATING  $1 \times 10^{-8}$  mbar
- \* WIDE RANGE OF ELBOWS, CROSSES & TEES ARE AVAILABLE
- \* TUBULATED FLANGES ARE AVAILABLE FOR WELDING TO STAINLESS STEEL TUBE

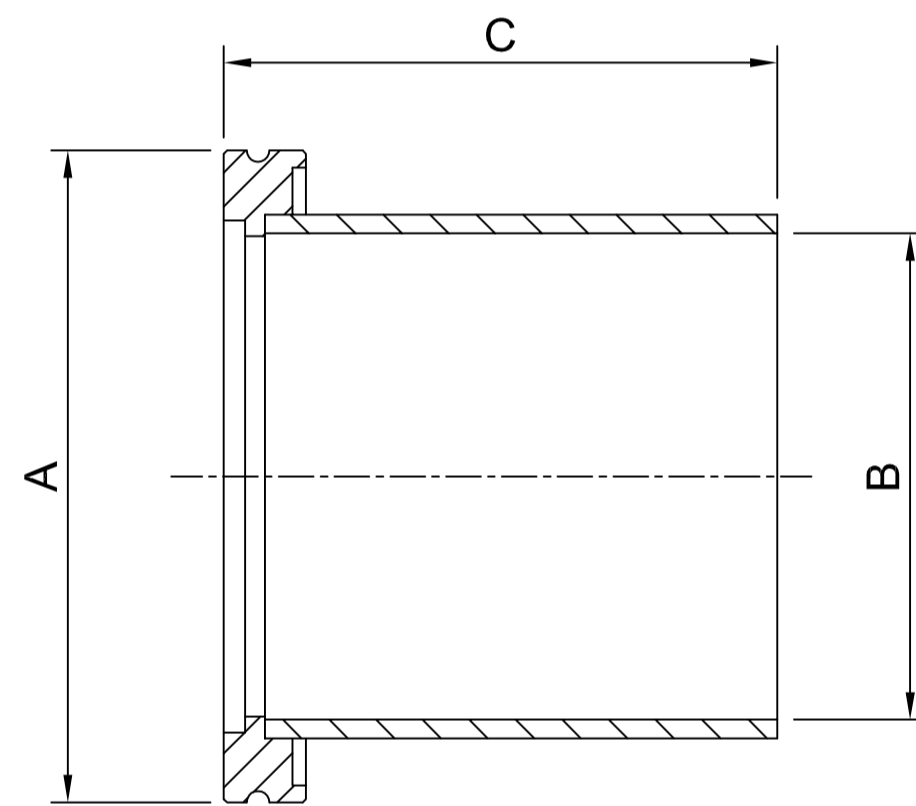
| ORDER CODE | NW  | A   | B   | C  | D       | E   | F   |
|------------|-----|-----|-----|----|---------|-----|-----|
| ISO63F76   | 63  | 130 | 110 | 12 | 9(x4)   | 70  | 76  |
| ISO80F89   | 80  | 145 | 125 | 12 | 9(x8)   | 83  | 89  |
| ISO100F102 | 100 | 165 | 145 | 12 | 9(x8)   | 96  | 102 |
| ISO100F108 | 100 | 165 | 145 | 12 | 9(x8)   | 102 | 108 |
| ISO160F159 | 160 | 225 | 200 | 16 | 11(x8)  | 153 | 159 |
| ISO200F219 | 200 | 285 | 260 | 16 | 11(x12) | 213 | 219 |
| ISO250F267 | 250 | 335 | 310 | 16 | 11(x12) | 261 | 267 |
| ISO320F324 | 320 | 425 | 395 | 20 | 14(x12) | 318 | 324 |
| ISO400F406 | 400 | 510 | 480 | 20 | 14(x16) | 400 | 406 |
| ISO500F508 | 500 | 610 | 580 | 20 | 14(x16) | 502 | 508 |
| ISO600F660 | 600 | 750 | 720 | 20 | 14(x20) | 654 | 660 |



## ISO CLAW CLAMP TUBULATIONS

- \* MATERIAL: 304L STAINLESS STEEL
- \* BAKEABLE TO 200°C (150°C CONTINUOUS)
- \* VACUUM RATING  $1 \times 10^{-8}$  mbar
- \* WIDE RANGE OF ELBOWS, CROSSES & TEES ARE AVAILABLE

| ORDER CODE | NW  | A   | B   | C   |
|------------|-----|-----|-----|-----|
| ISO63TU    | 63  | 95  | 70  | 100 |
| ISO80TU    | 80  | 110 | 83  | 100 |
| ISO100TU   | 100 | 130 | 102 | 100 |
| ISO160TU   | 160 | 180 | 153 | 100 |
| ISO250TU   | 250 | 290 | 261 | 100 |
| ISO320TU   | 320 | 370 | 318 | 100 |
| ISO200TU   | 200 | 240 | 213 | 100 |
| ISO400TU   | 400 | 450 | 400 | 100 |
| ISO500TU   | 500 | 550 | 501 | 100 |



## ISO STRAIGHT CONNECTORS

- \* MATERIAL: 304L STAINLESS STEEL
- \* BAKEABLE TO 200°C (150°C CONTINUOUS)
- \* VACUUM RATING  $1 \times 10^{-8}$  mbar
- \* WIDE RANGE OF ELBOWS, CROSSES & TEES ARE AVAILABLE

| ORDER CODE | NW  | A   | B   | C   |
|------------|-----|-----|-----|-----|
| ISO63SC    | 63  | 95  | 70  | 100 |
| ISO80SC    | 80  | 110 | 83  | 100 |
| ISO100SC   | 100 | 130 | 102 | 100 |
| ISO160SC   | 160 | 180 | 153 | 100 |
| ISO200SC   | 200 | 240 | 213 | 100 |
| ISO250SC   | 250 | 290 | 261 | 100 |
| ISO320SC   | 320 | 370 | 318 | 200 |
| ISO400SC   | 400 | 450 | 400 | 200 |
| ISO500SC   | 500 | 550 | 501 | 200 |

