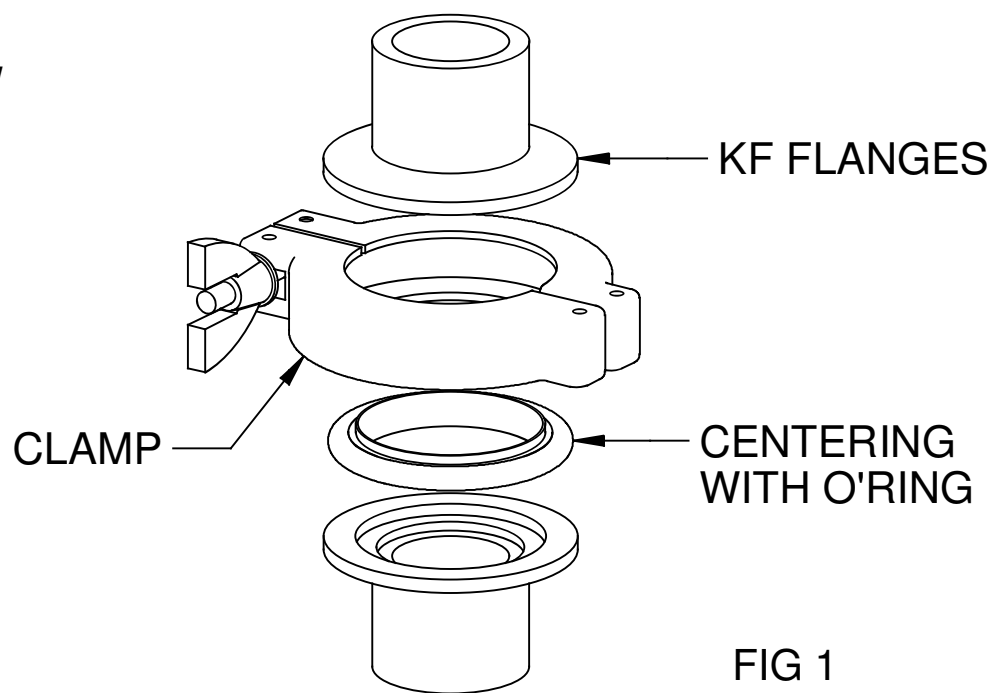


KF (KLEIN) FLANGES ARE THE STANDARD DIN 28430 & ISO 2861 CONNECTIONS FOR VACUUM FITTINGS UP TO DN50 USED IN LOW & HIGH VACUUM. ALONG WITH THE ANCILLIARY COMPONENTS THEY OFFER A SIMPLE SOLUTION FOR APPLICATIONS REQUIRING EASY AND REPEATED ASSEMBLY. SEALING IS ACCOMPLISHED WITH A CENTERING WITH A NITRILE OR VITON O'RING SQUASHED BETWEEN A PAIR OF KF FLANGES AND PULLED TOGETHER USING A CIRCUMFERENTIAL CLAMP (SEE FIG 1) [Click Here for Parts](#)

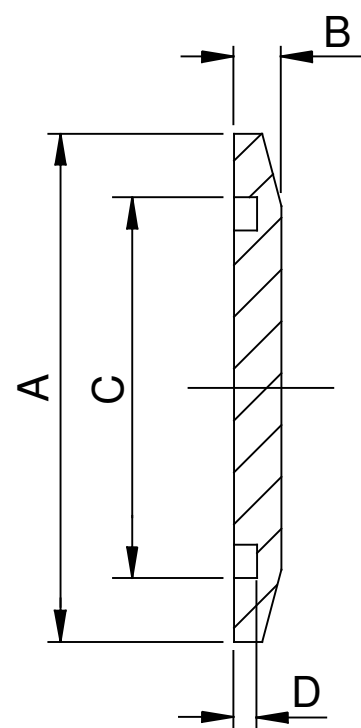
- * MATERIAL: 304L STAINLESS STEEL
- * BAKEABLE TO 150° C
- * VACUUM RATING 1×10^{-8} mbar
- * WIDE RANGE OF ELBOWS, CROSSES & TEES ARE AVAILABLE
- * TUBULATED FLANGES ARE AVAILABLE FOR WELDING TO STAINLESS STEEL TUBE



KF BLANK FLANGES, STAINLESS STEEL, 304L

WIDE RANGE OF ELBOWS, CROSSES & TEES ARE AVAILABLE

ORDER CODE	NW	A	B	C	D
KF10BS	10	30	5.1	12.2	2.5
KF16BS	16	30	6.0	17.2	2.5
KF25BS	25	40	6.0	26.2	2.5
KF40BS	40	55	6.0	41.2	2.5
KF50BS	50	75	6.0	52.2	2.5



KF BORED FLANGES, STAINLESS STEEL, 304L

WIDE RANGE OF ELBOWS, CROSSES & TEES ARE AVAILABLE

ORDER CODE	NW	A	B	C	D	E
KF10B10	10	30	4.3	12.2	2.5	14.0
KF16B20	16	30	4.3	17.2	2.5	20.0
KF25B28	25	40	4.6	26.2	2.5	28.0
KF40B44	40	55	4.4	41.2	2.5	44.5
KF50B57	50	75	5.4	52.2	2.5	57.0

